

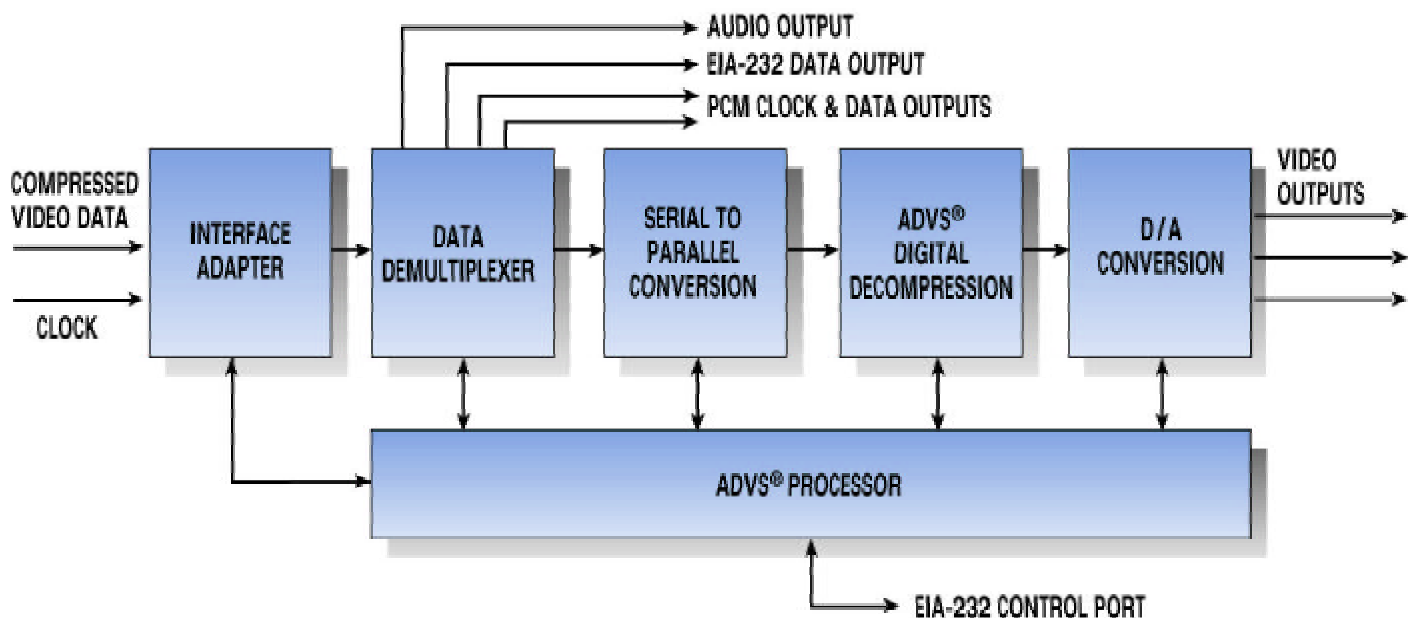
## Features

- **ADVS® - Adaptive Digital Video Standard Compression Algorithm**
- **Real-Time Decompression of Full-Motion Video**
- **Small Size - 136 Cubic Inches**
- **No Blurred Motion - Each Frame Separately Displayed**
- **User Programmable Video Parameters via EIA-232 Port**
- **Composite NTSC Color and PAL, Y/C Capabilities**
- **Receives at Rates Up to 10 Mbps Over Any Digital Medium**
- **Lower Power - 10 Watts Typical at 28 VDC**

The decoder receives digitized video signals from the encoder via any type of digital communications link. The decoder accepts the digital video signal from the communications link devices in a digital data and digital clock format, and then converts these signals back to the original standard NTSC color analog television picture. After performing the required decoding functions, the Model DEC1000A136 outputs a standard NTSC color video signal suitable for either recording or viewing on a color television monitor. The color video compression decoder has the capability of being connected into the system at any time from the beginning of the session. The system operating parameters are automatically derived from information contained within the compressed video data stream. No handshake with the encoder is required, because the decoder will output the first full picture received. The decoder is capable of achieving data synchronization upon presentation of the data and clock signals. A data multiplexer allows restoration of EIA-232, audio or PCM data from a similarly equipped encoder.

## DEC1000A136

### DEC1000A136 Decoder Functional Block Diagram



### Standard Functions

FEATURE	DESCRIPTION
Video Outputs *	Three outputs of composite or composite Y/C NTSC or PAL, 1 Vp-p, 75 ohms
Digital Data Inputs	NRZL clock and data, TTL or EIA-422 levels
Communications Port *	EIA-232C at 9600, 4800, 2400, 1200 or 300 baud
Data Multiplexer	
PCM output *	TTL, CMOS or EIA-422A selectable input levels, maximum data rate is 49% of total link frequency
Audio output *	300 Hz to 3000 Hz, 600 ohms, 1 Vp-p
EIA-232 multiplex output *	EIA-232C at 9600, 4800, 2400, 1200 or 300 baud
Resolution *	560, 280 or 140 pixels per line
Quantization *	240 steps
Cropping *	4 steps
Compression Standard	ADVS®
Operating Frequencies	Any rate up to 10 Mbps
Interface Connectors	BNC for each video output, BNC for clock and data inputs, BNC for audio output, military circular for power and control
Input Power	12 or 28 VDC, preset at factory
Power Consumption	10 Watts maximum
Dimensions	6.5-inch wide, 2 in. high, 10.5 in. deep
Weight	4.8 pounds
Operating Range	-20 to +70°C
Video Insertion Generator *	Upper and lower case text, on-screen time and data, miniature color bar insertion
Pattern Generator *	Color bars and solid fields
MIL-STD-810 Testing	Consult factory for details
MIL-STD-461 Testing	Consult factory for details

### Optional Functions

FEATURE	DESCRIPTION
Forward Error Correction *	Reed-Solomon correction at 12.3% overhead
DBS12 Multi-Freq. Bit Synchronizer	Recovers clock and data from analog receiver data output

\* Software Selectable

