

ENC2000R2

Color Video Compression Encoder

Features

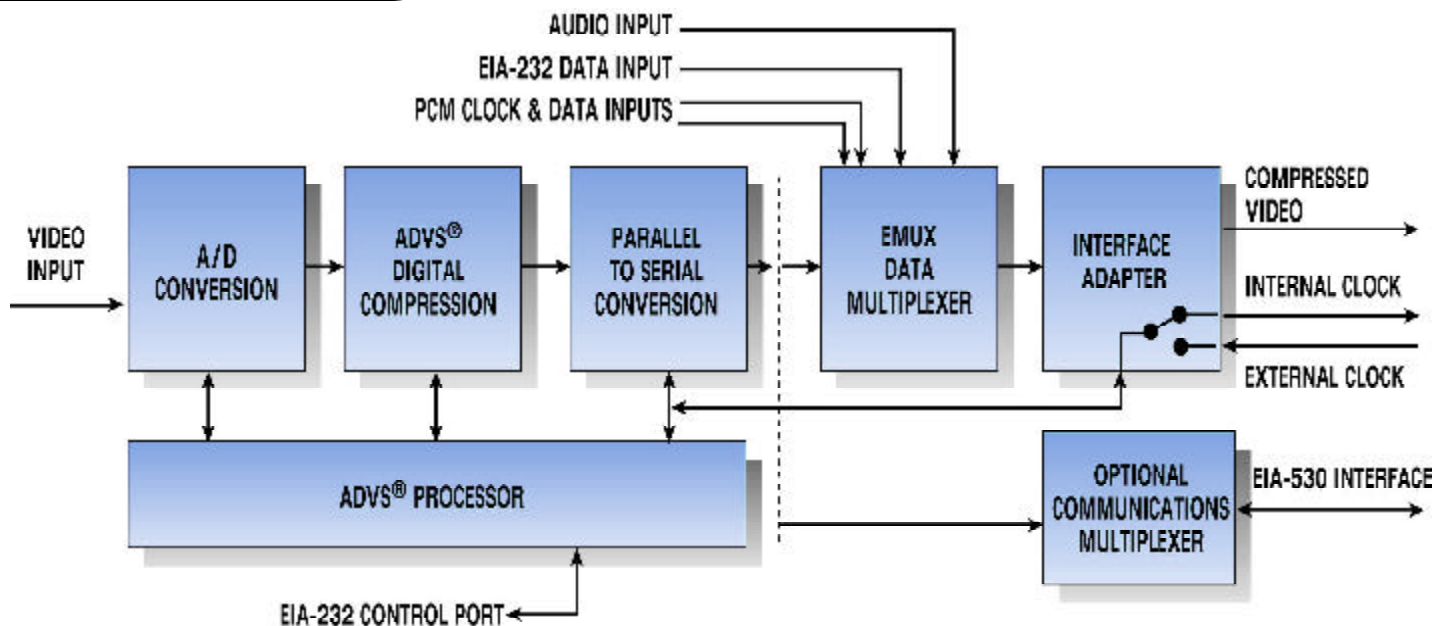
- **ADVS® - Adaptive Digital Video Standard Compression Algorithm**
- **Real-Time Digital Compression of Full-Motion Video**
- **Standard 3.5-inch High (2U), 19-inch Rack Mount Chassis**
- **Low Power - 30 Watts Typical at 120 VAC**
- **No Blurred Motion - Each Frame Separately Encoded**
- **User Programmable Video Parameters via EIA-232 Port**
- **Composite NTSC Color and PAL Capabilities**
- **Transmits at Rates Up to 10 Mbps Over Any Digital Line**
- **Data Multiplexer Puts Video, PCM Data, EIA-232 Data, and Voice on One Line**
- **Optional Communications Multiplexer Puts 3 Serial Ports, Voice, and Video on One Line**
- **Compatible with All Enerdyne ADVS® Equipment**

The ENC2000R2 encoder digitizes and compresses a standard analog NTSC color video signal and outputs a single, continuous, serial digital output signal representing the input picture clocked at any fixed rate up to 10 Mbps. A variety of standard transmission interfaces are available. The encoder receives EIA-232 encoder control signal data as required, allowing for remote encoder setup using any "dumb" terminal or DOS-based PC with terminal emulation. Setup includes user selectable adjustments for horizontal resolution (pixels/line), quantization level, crop mode, output bit rate, color, tint, system defaults, test patterns, and system status information. The 3-wire EIA-232 communication link supports serial data baud rates of 300 to 9600; all external EIA-232 programming is held in EEPROM, and therefore, is retained upon power down. The ADVS® Advanced Digital Video Standard compression technique causes no blurring of the compressed picture upon the encoding and decoding of any type of moving objects within a given picture. Using this scheme, each and every video frame is digitized separately and completely.

The ENC2000R2 includes a data multiplexer that provides inputs for asynchronous serial data, PCM data and clock, and an audio signal to be interspersed into the digitized video data stream or an optional communications multiplexer that puts three serial ports, voice, and video on one EIA-530 interface.

ENC2000R2

ENC2000R2 Encoder Functional Block Diagram



ENC2000R2

Color Video Compression Encoder

Standard Functions

FEATURE	DESCRIPTION
Video Inputs	NTSC or PAL, Composite, 1 Vp-p, 75 ohms
Digital Data Outputs	EIA-530 or NRZL clock and data (TTL levels)
Communications Port *	EIA-232C at 9600, 4800, 2400, 1200 or 300 baud
Data Multiplexer	
PCM input *	EIA-422A input levels, maximum data rate is 49% of total link frequency
Audio input *	300 Hz to 3000 Hz, 600 ohms, 1 Vp-p
EIA-232 multiplex input *	EIA-232C at 9600, 4800, 2400, 1200 or 300 baud
Resolution *	560, 280 or 140 pixels per line
Quantization *	240 steps
Cropping *	4 steps
Compression Standard	ADVS®
Internal Frequencies *	19 KHz to 20 Mbps in 71 steps
External Data Clock Input *	Any rate up to 10 Mbps
Interface Connectors	BNC for video input, DB25 for EIA-530, DB9 for EIA-232 interface, IEC type detachable power cord
Input Power	95-265 VAC, 50 Hz or 60 Hz
Power Consumption	30 Watts maximum
Dimensions	19-inch rack, 3.5 in. high (2U), 14 in. deep
Weight	15 pounds
Operating Temperature Range	-20 to +70°C

Optional Functions

FEATURE	DESCRIPTION
Forward Error Correction *	Reed-Solomon correction at 12.3% overhead
EIA-530 Interface	Allows connection to T1, 56Kb, and fractional rate modems
Communications Multiplexer *	Allows inband quad EIA-232C control and inband audio multiplexing
T1 CSU/DSU *	Internal T1 (1.544 Mbps) interface (Optional)
Dual T1 CSU/DSU *	Internal Dual T1 (3.088 Mbps) line interface (Optional)

* Software Selectable

